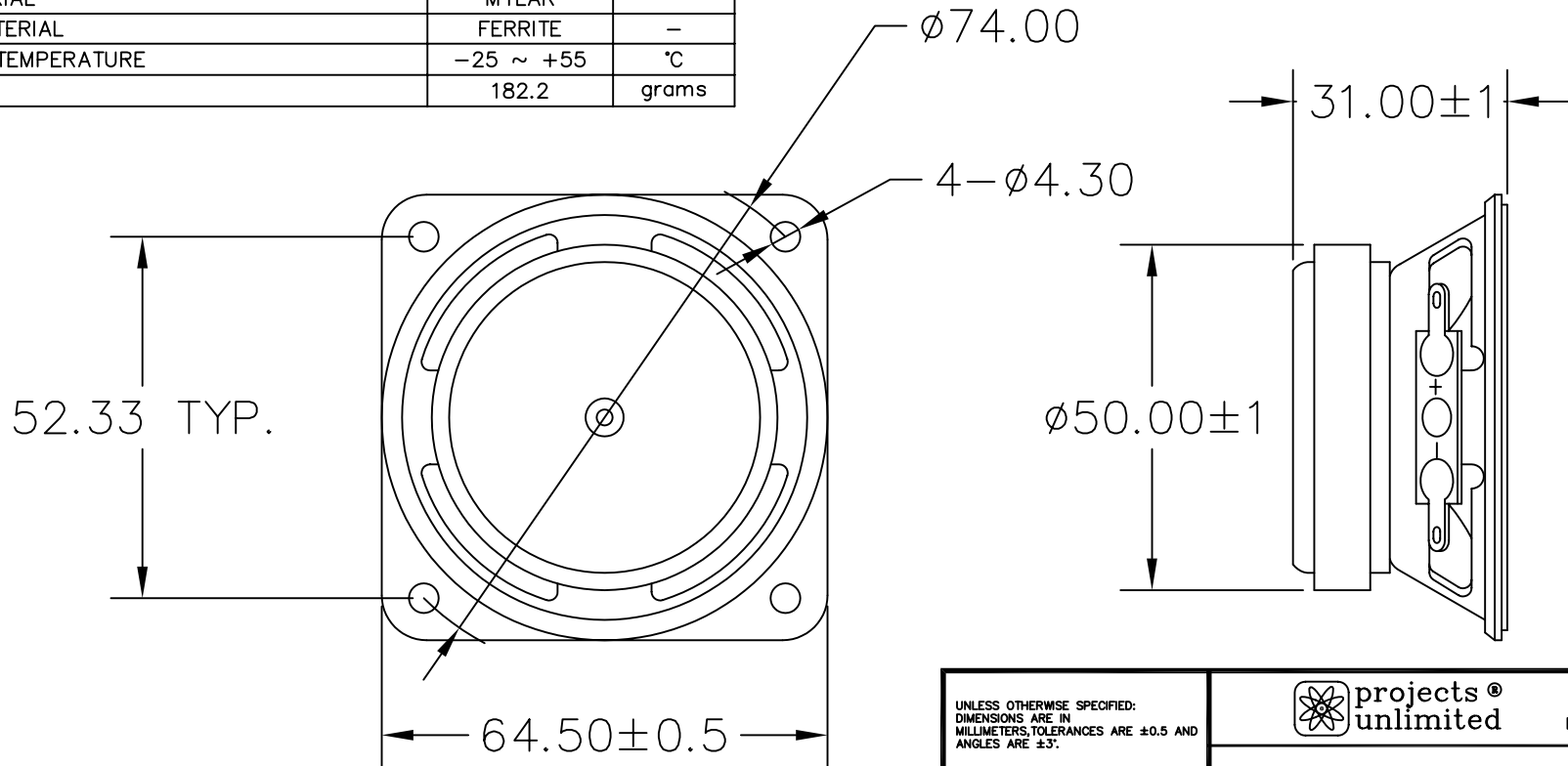


THIS DOCUMENT CONTAINS DATA PROPRIETARY TO PROJECTS UNLIMITED, INC. ANY USE OR REPRODUCTION, IN ANY FORM, WITHOUT PRIOR WRITTEN PERMISSION OF PROJECTS UNLIMITED, INC. IS PROHIBITED.
© 2003, Projects Unlimited Inc.

SPECIFICATIONS

PARAMETERS	VALUES	UNITS
RATED INPUT POWER	2	W
MAX INPUT POWER	4	W
IMPEDANCE	8±15%	OHM
OUTPUT SPL @ 1W/1M (AT 0.6, .8, 1.0, 1.2, 1.5 kHz)	88±3	dBA
DISTORTION (MAX.)	7%	-
RESONANT FREQUENCY	400±20%	Hz
FREQUENCY RANGE	400 ~ 13,000	Hz
HOUSING MATERIAL	METAL	-
CONE MATERIAL	MYLAR	-
MAGNET MATERIAL	FERRITE	-
OPERATING TEMPERATURE	-25 ~ +55	°C
WEIGHT	182.2	grams


REVISIONS			
LTR	DESCRIPTION	DATE	APPROVED
-	RELEASED FROM ENGINEERING	3/10/05	
A	REMOVED LEAD FREE ADDED RoHS NOTE	8/10/05	



NOTES:

1. ALL DIMENSIONS ARE IN MILLIMETERS.
2. SPECIFICATION SUBJECT TO CHANGE OR WITHDRAWAL WITHOUT NOTICE.
3. THIS PART IS RoHS 2002/95/EC COMPLIANT.

FILE NAME
AS06508MS-R.DWG

UNLESS OTHERWISE SPECIFIED: DIMENSIONS ARE IN MILLIMETERS, TOLERANCES ARE ±0.5 AND ANGLES ARE ±3°.		 projects® unlimited Dayton, Ohio	
APPROVALS		DATE	
DRAWN	G.V.	3/9/05	
CHECKED	B.R.	3/10/05	
APPROVED	E.P.	3/10/05	
DO NOT SCALE DRAWING		SIZE A	DRAWING NO. AS06508MS-R
		SCALE: N.T.S.	SHEET 1 OF 1

SPEAKER